

# Sandwich Preparation Fridge

*The Woodson sandwich preparation fridge combines a refrigerated ingredient well with under-counter storage and a preparation area to the rear.*



Cool air is blown above and below the produce



Under-bench shelving racks



Pans fit flush to maintain temperature

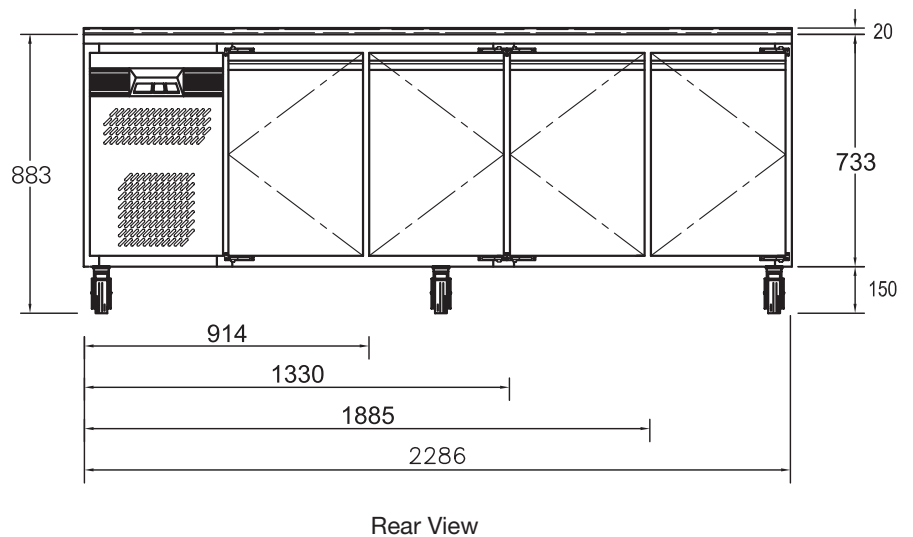
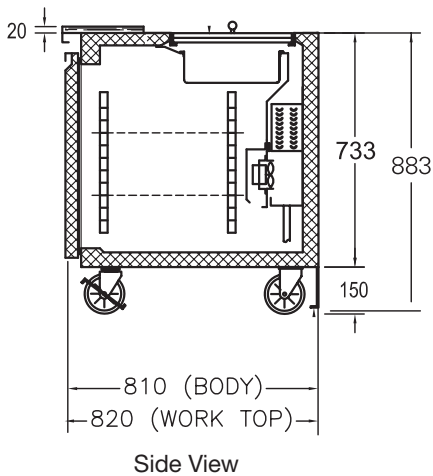
## FEATURES & BENEFITS

- Refrigerated ingredient well with cold air blowing under and over 100mm 1/3GN pans
- Undercounter refrigerator with 2 shelves per door
- Unique full-length back mounted evaporator coil
- Self contained refrigeration system using R-404a refrigerant, slides out for easy servicing
- Flat deck layout for easy access to contents and ingredients
- Complete stainless steel construction including interior surfaces in 2B finish and fridge doors with magnetic gaskets
- Supplied on 130mm removable castors for ease of cleaning (plinth mounting available)
- Adjustable micro-processor control with digital temperature display



W.SMxx

MODEL	DESCRIPTION	DIMENSIONS (mm) (w x d x h)	POWER
<b>W.SM.914</b>	Flat deck unit - 4 x 1/3GN pans wide unit with 1 door	914 x 820 x 883	1.0kW - 4.2 Amp
<b>W.SM.1330</b>	Flat deck unit - 7 x 1/3GN pans wide unit with 2 doors	1330 x 820 x 883	1.0kW - 4.2 Amp
<b>W.SM.1885</b>	Flat deck unit - 10 x 1/3GN pans wide unit with 3 doors	1885 x 820 x 883	1.0kW - 4.2 Amp
<b>W.SM.2286</b>	Flat deck unit - 12 x 1/3GN pans wide unit with 4 doors	2286 x 820 x 883	1.0kW - 4.2 Amp



Dealer:

We reserve the right to alter specifications of products without notice. All dimensions are in mm.