

Buffet 88



Front loading back exiting belt



Variable heat and belt controls suitable for Intermittent or prolonged use

Buffet 88 is Woodson Starline's smallest conveyor toaster, providing any buffet with a functional, reliable and easily accessible unit that is capable of producing up to 575 slices of toast per hour.

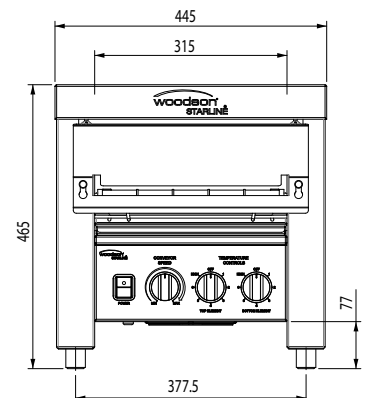
Designed for a buffet environment, the Buffet 88's front loading and rear exiting function will eliminate excess wait time. Complete with adjustable heat and conveyor belt controls to suit individual preferences, the Woodson Starline Buffet 88 makes for an ideal buffet toaster.



W.CVT.B.xx

FEATURES & BENEFITS

- Front loading, rear exiting conveyor toaster for sliced bread with 305mm belt width
- Long life metal incaloy elements for continuous use
- Available in 15/20 Amp models (20 amp model comes with three flat pin plug)
- Capacity of up to 575 slices of toast per hour
- Variable top and bottom independent temperature controls
- Variable speed belt control
- Stainless steel construction
- Chamber clearance of 60mm

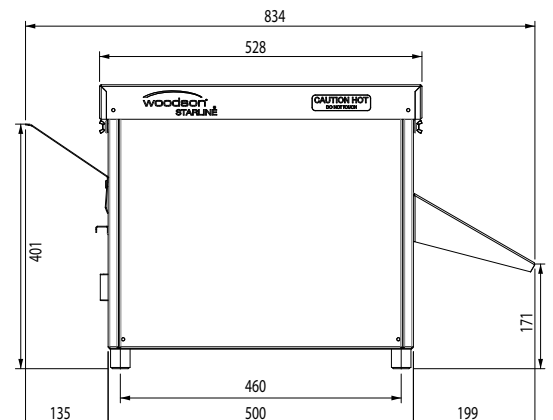


SPECIFICATIONS

15 / 20

kW 3.6 / 4.8 Amps 15 / 20
Length 445mm Width 528mm
Height 465mm

Dealer:



We reserve the right to alter specifications of products without notice. All dimensions are in mm.

*Variations may occur depending on type of bread, bread size and voltage supply to machine.