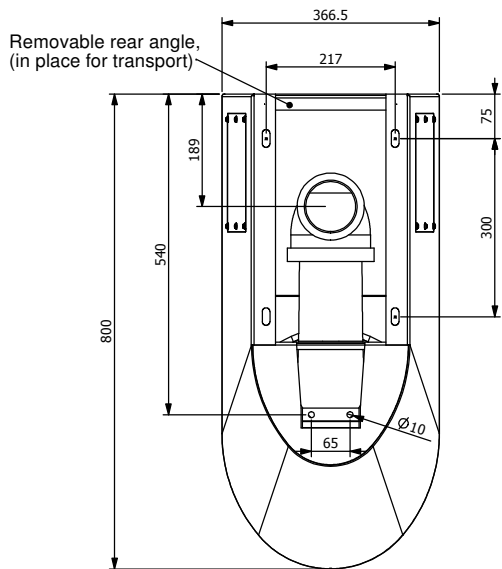
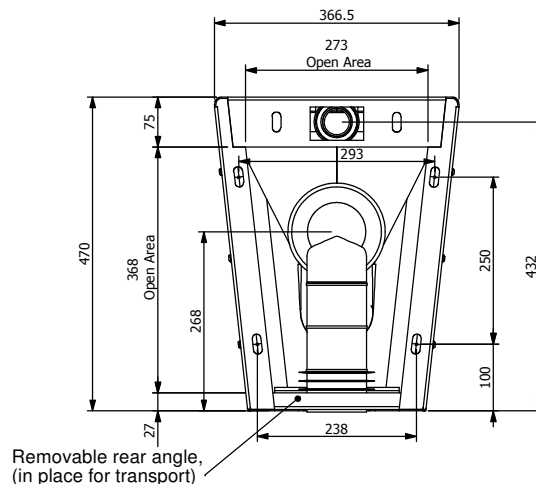


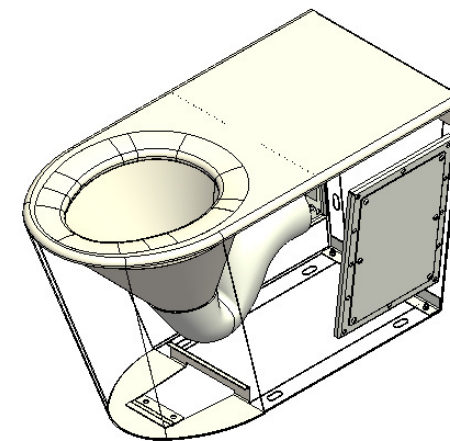
PLAN VIEW



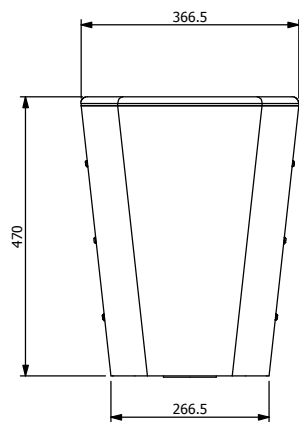
UNDERSIDE VIEW



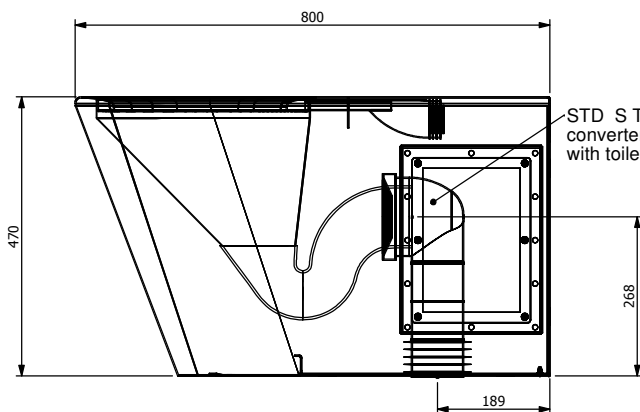
REAR VIEW



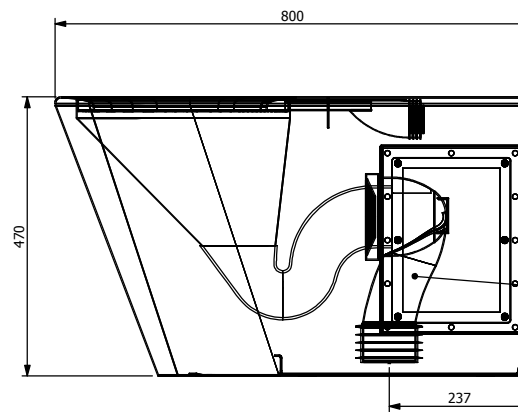
ISOMETRIC VIEW
(Showing Base Fixing Lug)



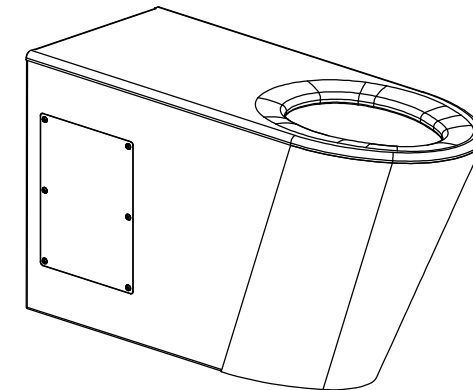
FRONT VIEW



END VIEW



END VIEW



ISOMETRIC VIEW

REVISION TABLE			
REV.	REVISED BY	DATE	REVISION DESCRIPTION
A		29/06/2010	
B	J Pickels	9/08/2011	Parts changed,001,002,004,005,007,008,009,012



**STODDART
MANUFACTURING**
TOM STODDART Pty Ltd ACN 009 690 251
149 Jackson Rd Sunnybank Hills Qld 4109
PO Box 420 Sunnybank Qld 4109
Phone (617) 3345 5011 Fax (617) 3344 1000
Email sunnybank@stoddart.com.au
Quality in stainless steel

DRAWN J Pickels				DATE 10/02/2010	UNLESS OTHERWISE SPECIFIED: DIMENSIONS ARE IN MILLIMETERS	PART No: SPPL-TP-WF-3-D-S-BSA Rev B		
APPVD				MATERIAL:		DESCRIPTION: Stainless Toilet Pan		
Weight: 26.40 kg				THICKNESS:	DWG No: SPPL-TP-WF-3-D-S-BSA Rev B		Dwg. Issue	
Surface Area: 3.67 M2					FINISH:	Sheet 1 of 17		1
DO NOT SCALE DRAWING				This drawing remains the property of Tom Stoddart Pty Ltd & cannot be reproduced without prior permission.				A3