



Item # \_\_\_\_\_

Job \_\_\_\_\_

# Metro C5 T-Series Transport Armour™ Heavy-Duty Heated Holding Cabinet

## • Transport Armour™

- **Foamed-in-place polyurethane insulation** with Type 304 stainless steel structure provides superior heat retention, adds structural rigidity, and minimizes energy consumption
- **Steel reinforced polymer handles** double as **bumpers** to protect the cabinet from impact and provide ergonomic grab points for easy handling
- **Polymer Armour panels** are optimally located to protect the cabinet from facility hazards such as door handles and panic bars to help maintain a cleaner appearance. Molded in hand holds create additional grab points for easy handling
- **Mobile Power Option** features battery technology that gently circulates air inside the cabinet and keeps the controller illuminated and functional, while unplugged and in transit. Only available with digital controls.
- **Controls:** Choice of intelligent digital solid state or simple analog controls. Digital controls feature mobile power, low and high temperature alarms, diagnostic troubleshooting codes, and a manager lock-out feature.
- **Performance:** Ducted convection heating system provides fast heat-up and recovery times. Heating element located inside cabinet chamber for greater efficiency. 1350W element in Full, 5/6, and 1/2 height models. Two 675W elements in dual cavity models.
- **Sizes:** C5 T-Series cabinets are available in Full height (single & dual cavity) (73.875", 1876mm), 5/6 height (65.438", 1662mm), and 1/2 height (48.563", 1234mm).
- **Capacity:** Three slide systems provide maximum holding capacity. Adjustable bottom load slides hold 18"x26" (457x660mm) sheet pans, 12"x20" (305x508mm) steam pans, or GN pans on 1.675" increments. Adjustable lip load slides hold 18"x26" (457x660mm) sheet pans, 12"x20" (305x508mm) steam pans, or GN pans on 1.675" (43mm) increments. Fixed lip load slides hold 12"x20" (305x508mm) pans or GN pans on 1.675" (43mm) spacing.
- **Reliability:** Reliability and durability are designed from the ground up. High-quality heavy-duty components provide a long life of worry free use to withstand even the harshest applications.
- **Energy Star:** All T-Series models are Energy Star.



Full Height  
Digital  
Controls



1/2 Height  
Analog  
Controls

5/6 Height  
Digital  
Controls

Full Height  
Analog  
Controls

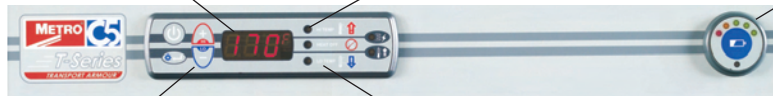
Dual Cavity  
Digital  
Controls

## DIGITAL CONTROLLER:

**Digital Display**  
Easy-to-read precise temperature read-out.

**Low/High Temp Alarms**   
Alert operator while cabinet is in transit.

**Mobile Power**  
Gently circulates air inside the cabinet and keeps controller illuminated and functional while unplugged and in transit.



**Recall & Memory**  
View settings with the touch of a button.

**Intuitive**  
Easy-to-use controls that anyone can understand.

**Diagnostic Troubleshooting**  
Detects and displays codes when electrical components are in need of servicing.

## ANALOG CONTROLLER:

**Electro-Mechanical Control of Temperature**  
Easy-to-use dial puts you in control of cabinet temperature.

**Analog Thermometer**  
Measures and displays temperature when cabinet is off and in transit.



**Flush Recessed Controls**  
Provide protection while in transit.



**InterMetro Industries Corporation**  
North Washington Street  
Wilkes-Barre, PA 18705  
www.metro.com

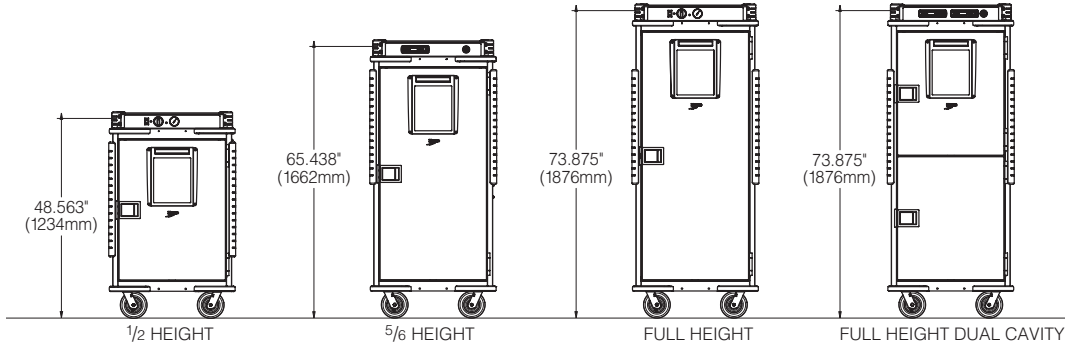


Metro C5 T-Series Transport Armour™ Heavy-Duty Heated Holding Cabinet

13-9T

# Metro C5 T-Series Transport Armour™ Heavy-Duty Heated Holding Cabinet

ALL CABINETS ARE 30" (762mm) WIDE AND 39.25" (997mm) DEEP



## Specifications

- Cabinet Material:** Type 304 stainless steel, 20-gauge polished exterior; 22-gauge interior.
- Insulation:** CFC free foamed-in-place polyurethane insulation. 2" thick sides, top, and base. 3.5" thick on rear wall. R Value = 12.
- Doors:** Vaulted, Type 304 stainless steel, 20-gauge welded doors with foamed-in-place polyurethane insulation. Three function information panel: cabinet ID, whiteboard, clipboard.
- Base:** Heavy-duty one piece base, bolted to heavy-duty caster channels, reinforced by foamed-in-place polyurethane insulation.
- Casters:** Heavy-duty 6" diameter polyurethane casters with 2" tread width. Plate mounted, bolted to 14-gauge caster channels. 2 swivel, 2 swivel with brake. Load capacity 600 lbs. each.
- Hinges:** Type 304 stainless steel, 11-gauge concealed hinges mounted to cabinet body, reinforced by backer plates. Non-removable 3/8" diameter stainless steel pin. Hinges are removable with tools.
- Door Latch:** Flush mounted, heavy-duty Type 304 stainless steel paddle latch.
- Door Gaskets:** High quality, high temperature, cabinet mounted, santoprene gaskets. Removable without tools.
- Handles/Bumpers:** Over molded polymer handles with 1/4" thick metal insert for reinforcement that double as protective bumpers.
- Digital Controls:** Closed loop, solid state controller with low and high temperature alarms, diagnostic troubleshooting codes, manager lock-out feature, and 12V, 9.0A hour sealed lead acid battery mobile power feature that gently circulates fan and operates controller for up to 3 hours while cabinet is unplugged and in transit.
- Analog Controls:** Analog thermometer with independent thermostat control knob.
- Thermal Performance:** 200°F (93°C) maximum operating temperature.
- Cord:** 7 1/2' coiled cord with NEMA 5-15P plug. 30" long when fully retracted. Contact factory for 220-240V cabinet plug end options.
- Clearance Requirements:** 18" (46cm) away from any cooking equipment. AVOID contact with surfaces that exceed 200°F (90°C). Minimum clearance from enclosures is 1 1/2" (38mm) on sides, back, and top.
- Slide Capacities:**

**Model Number Description**

Cabinet Height  
9 = Full Height  
8 = 5/6 Height  
5 = 1/2 Height

Controller  
D = Digital  
A = Analog

**C5T9D-DSB**

NEMA 5-15P

\*Dual Cavity

Slide Type  
B = Adjustable Bottom Load  
L = Adjustable Lip Load  
F = Fixed Lip Load

For Standard Wattage Cabinets (120V, 12A, 60Hz, 1400W)

\*Dual Cavity Option only available on Full Height Models

**Export Model Number Description**

**C5T9X-DSB**

NEMA 6-15P

Add "X" for Export Cabinets (220-240V, 6A, 50/60Hz, 1176-1400W)

**Models with Accessories or Options**

**C5T9-DSBA**

**C5T9D-DSBA**

An "A" suffix indicates that accessories need to be factory assembled to the cabinet. Order accessories separately.

- Options/Accessories:**
- Small Item Shelf (C5T-SHELF)
  - Travel Latch / Hasp (C5T-TRVL)
  - Straight Plug (C5T-STRPLG)
  - Adjustable Bottom Load Slide Pair (C5T-BSLIDEPR)
  - Adjustable Lip Load Slide Pair (C5T-LSLIDEPR)
  - Correctional Packages
    - Full Height (C5T-CORR-9)
    - Full Height Dual Cavity (C5T-CORR-9D)
    - 5/6 Height (C5T-CORR-8)
    - 1/2 Height (C5T-CORR-5)

Cabinet Size	Adjustable Bottom Load Pan Capacity				Adjustable Lip Load Pan Capacity				Fixed Lip Load Pan Capacity	
	Slide Pairs Provided	Slide Pairs Max†	18" x 26"	12" x 20" x 2.5" GN 1/1	Slide Pairs Provided	Slide Pairs Max*	18" x 26"	12" x 20" x 2.5" GN 1/1	GN 2/1	12" x 20" x 2.5" GN 1/1
Full Height	16	32	16	32	16	32	16	32	16	32
Full Height Dual Cavity	14	28	14	32*	14	28	14	28	16	32
5/6 Height	14	27	14	28	14	27	14	26	14	28
1/2 Height	9	17	9	18	9	17	9	16	9	18

† Maximum number of slide pairs @ 1.675" spacing. Additional slide pairs ordered separately.  
\* Floor of cabinet used for 1 pan level, 2 levels for dual cavity

Metro Heated cabinets are for hot food holding applications only.

All Metro Catalog Sheets are available on our Web Site: [www.metro.com](http://www.metro.com)



**InterMetro Industries Corporation**  
 North Washington Street, Wilkes-Barre, PA 18705  
 Phone: 570-825-2741  
 Fax: 570-825-2852

For Product Information:  
 U.S. and Canada: 1.800.992.1776  
 Outside U.S. and Canada: [www.metro.com/contactus](http://www.metro.com/contactus)

L03-282  
 Printed in U.S.A. 2/11  
 Information and specifications are subject to change without notice. Please confirm at time of order.  
 Copyright © 2011 InterMetro Industries Corp.