



# Electrolux

## ecostore Touch 2 Door Refrigerator with LCD Touch Screen, 1400 lt (-2/+10)

ITEM # \_\_\_\_\_

MODEL # \_\_\_\_\_

NAME # \_\_\_\_\_

SIS # \_\_\_\_\_

AIA # \_\_\_\_\_



ecostore Touch

2 Door Refrigerator with LCD Touch Screen,  
1400 lt (-2/+10)

727241 (ESTI42FR)

Eco Store Touch  
Refrigerator-1430 lt 2 Door  
(-2/ +10)- 230 V/1N/50Hz

### Short Form Specification

#### Item No.

Two full door refrigerator entirely constructed in 304 AISI stainless steel with bottom panel in anti-corrosive material. Large external LCD touch display to allow: cabinet temperature indication; selection among 5 preset and 2 programmable food categories to adjust humidity level to the type of food stored; HACCP history for critical high temperature, alarm service and full diagnostic; Frost Watch Control 4 to defrost only when required with automatic evaporation of defrost water; probe failure indication and diagnostic. Optiflow: back to front forced air flow and removable air conveyors provides even temperature distribution and fast cooling in any conditions. Fitted with 75 mm-thick cyclopentane insulating foam. Door features lock and door microswitch to switch off the fan when the door is opened. Hidden evaporator to guarantee higher storage capacity and less corrosion problems. Built-in refrigeration unit and internal LED light. For ambient temperatures up to 43 °C. CFC and HCFC free. R134a gas in refrigeration circuit.

Supplied with n. 8x2/1GN A304 stainless steel grids and n. 8 sets of 2 stainless steel grid runners. Certified as Class 7 by CECED Italia energy classification. Provided with USB port to download temperature history and additional port to connect to a remote computer or integrated HACCP system.

### Main Features

- Cabinets certified as class 7 by the CECED Italia energy classification board. CECED Italia studies demonstrate that the potential annual savings estimated by replacing a cabinet in class 1 with a cabinet in class 7 of equivalent volume, is equal to 360 € for each refrigerator replaced (considering an energy cost of 0,17 €/kWh and an average net volume of 600lt). See more at: [www.ceceditalia.it](http://www.ceceditalia.it)
- Large storage area suitable to contain 2/1 GN grids or shelves on anti-tilt runners.
- Operating temperature can be adjusted from -2 to +10 °C to suit different food storage requirements.
- Performance guaranteed at ambient temperatures of +43°C.
- Cabinet fitted with up to 75 mm thickness of cyclopentane insulation for best insulating performance with 100% environmental protection (thermal conductivity: 0,020 W/m\*K).
- Automatic evaporation of the defrosting water by hot gas on the top for energy saving.
- Optiflow: back to front forced air flow and removable air conveyors provide even temperature distribution and fast cooling in any conditions.
- Interior LED light to save energy and for best internal visibility.
- Large external LCD touch display features the following benefits and advanced electronic functions:
  - Cabinet temperature indication
  - 5 selectable preset and 2 programmable food categories to set the appropriate temperature and humidity level, according to the type of food stored
  - HACCP: acoustic and visual alarms are activated when temperature exceeds critical limits. Up to 99 events are recorded and stored
  - Frost Watch Control4: defrost cycle driven by 4 probes and activated only when ice in the evaporator is detected
  - Failure indication: history of alarm events and performances of the last 48h of operation are stored in case of probe failure
  - Diagnostic: four probes constantly control the working conditions of the appliance
- Internal structure with numerous charging positions available to host grids, ensuring higher net capacity and a greater storage space.
- Intelligent door frame heater, activated according to external temperature, avoids condensation build-up around the door frame.
- 60 mm-thick insulation covering the evaporator can be easily removed with a single operation.
- Removable triple-chamber balloon magnetic gasket to improve insulation and reduce energy consumption.
- Provided with stainless steel A304 grids.
- Improved defrost and evaporator fan management – defrost type changes with temperature set-point: electric below +2°C while air convection defrost above +2°C, thus saving energy.

APPROVAL: \_\_\_\_\_



Electrolux

2 Door Refrigerator with LCD Touch Screen, 1400 lt (-2/+10)  
ecostore Touch

### Construction

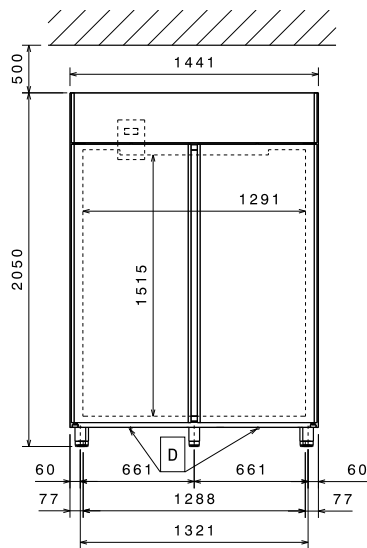
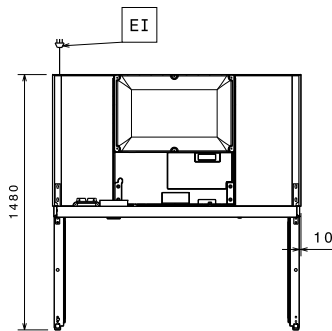
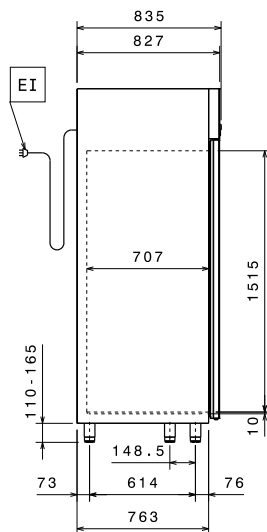
- Constructed from the highest quality AISI 304 Stainless steel.
- Interior base with corners, pressed from a single sheet.
- Refrigerant type: R134a.
- CFC and HCFC-free insulation.
- Frontal and side IPX5 water protection.
- The rounded internal corners, the easily removable runners, grids and air conveyors allow for ease of cleaning and high hygiene standards.
- Door switch stops the fan when door is opened to avoid cold air exiting the cell, thus saving energy.
- Anti-corrosion bottom avoids any damage that may be caused to the cabinet by aggressive detergents employed to clean the floors.
- Lockable door.

### Included Accessories

- 8 of 2/1GN 304 AISI stainless steel grid PNC 881018 with 2 runners

### Optional Accessories

- 2 stainless steel runners for refrigerated cabinets - (Marine) PNC 880242
- Set of 8 GN1/1 PVC containers for fish PNC 880243
- Spacer for 670 lt and 1430 lt refrigerated cabinets PNC 880248
- Kit 20 pair runners and trays to fit pastry trays (400x600mm) PNC 880333
- Kit of 6 swivelling wheels, 2 with brake, diam 50 mm PNC 880340
- 1/1GN plastic container with false bottom PNC 880705
- 4 swivelling wheels (2 with brake) for refrigerators, diam 125 mm, NOT for Glass Door and remote models PNC 881002
- 2/1GN grey rilsan grid PNC 881004
- 2/1GN aisi 304 stainless steel grid PNC 881016
- 2/1GN 304 AISI stainless steel grid with 2 runners PNC 881018
- Meat rail for 670/1430lt refrigerators with 4 hooks PNC 881019
- 2/1GN grey rilsan grid with 2 runners PNC 881020
- Set of 2 stainless steel runners for 670/1430lt refrigerators and freezers PNC 881021
- Pedal opening for 1430lt refrigerator PNC 881033
- 2/1GN pvc container with lid and 2 runners PNC 881039
- 2/1GN perforated shelf PNC 881042
- 1/1GN rilsan steel wire basket h=150mm PNC 881043
- 3 grey rilsan central grids for 1430lt (not for glass door) PNC 881044
- 2/1GN grey rilsan basket+2 runners h=150mm PNC 881047

**Front**

**Top**

**Side**


= Remote electrical connection  
 ED = Remote electrical connection  
 EI = Electrical connection  
 RI = Refrigerant Inlet  
 RO = Refrigerant Outlet

### Electric

**Supply voltage:**  
 727241 (EST142FR) 230 V/1 ph/50 Hz  
**Electrical power:** 0.33 kW

### Key Information:

**Door hinges:** 1 Left+1 Right  
**External dimensions, Height:** 2050 mm  
**External dimensions, Width:** 1441 mm  
**External dimensions, Depth:** 837 mm  
**External dimensions, Depth with Doors Open:** 1480 mm  
**Number and type of doors:** 2 Full  
**Gross capacity:** 1430 lt  
**Number and type of grids (included):** 8 - GN 2/1  
**Type of external material:** 304 AISI  
**Type of internal material:** 304 AISI  
**Internal panels material:** 304 AISI  
**Number of positions & pitch:** 44; 30 mm  
**CECED Energy Classification:** Class 7

### Refrigeration Data

**Control type:** Electronic  
**Refrigerant type:** R134a  
**Refrigeration power:** 398 W  
**Refrigeration power at evaporation temperature:** -10 °C  
**Operating temperature min.:** -2 °C  
**Operating temperature max.:** 10 °C  
**Operating mode:** Ventilated