



# Electrolux

## Modular Cooking Range Line 700XP 2 Door Refrigerated Base

ITEM # \_\_\_\_\_

MODEL # \_\_\_\_\_

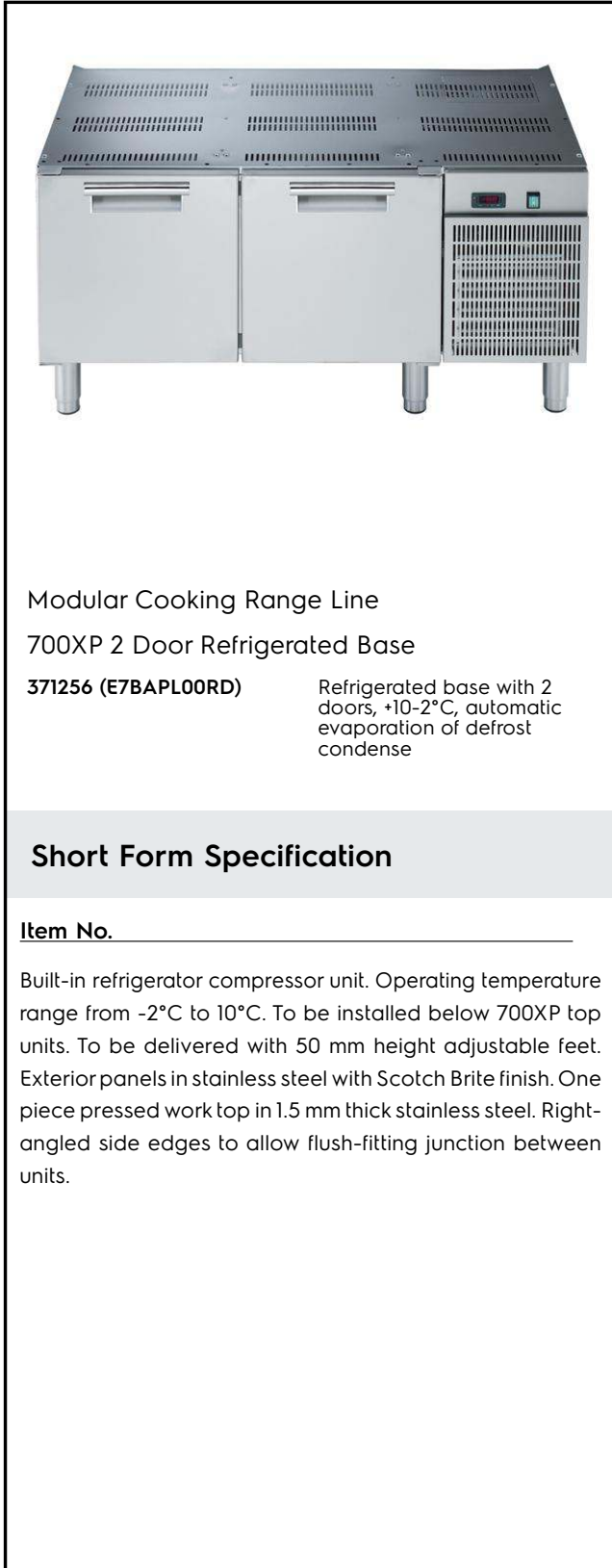
NAME # \_\_\_\_\_

SIS # \_\_\_\_\_

AIA # \_\_\_\_\_



Electrolux



Modular Cooking Range Line  
700XP 2 Door Refrigerated Base

371256 (E7BAPL00RD)

Refrigerated base with 2 doors, +10-2°C, automatic evaporation of defrost condense

### Short Form Specification

Item No. \_\_\_\_\_

Built-in refrigerator compressor unit. Operating temperature range from -2°C to 10°C. To be installed below 700XP top units. To be delivered with 50 mm height adjustable feet. Exterior panels in stainless steel with Scotch Brite finish. One piece pressed work top in 1.5 mm thick stainless steel. Right-angled side edges to allow flush-fitting junction between units.

### Main Features

- Unit can be easily installed below other 700 line top models.
- Unit delivered with 50 mm height adjustable feet in Stainless steel.
- Adjustable temperature range from -2 °C to +10°C to suit meat, fish and dairy storage requirements.
- Anti-tilt runners accept GN 1/1 containers.
- Forced air circulation for rapid cooling and an even temperature distribution.
- Right angled side edges eliminate gaps and possible dirt traps between units.
- Defrosting and automatic evaporation of condense drain: the condense is automatically evaporated thanks to the electric resistance in the condense drain container.
- Designed for modular installation into the cooking block.

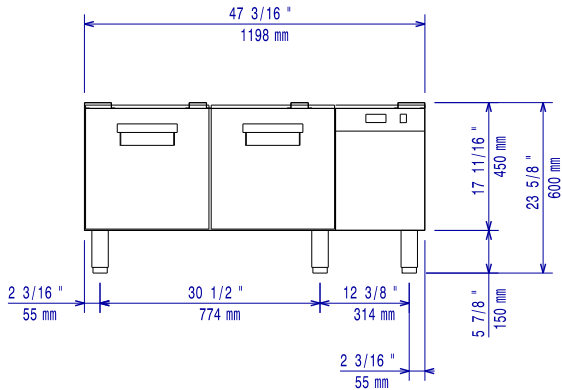
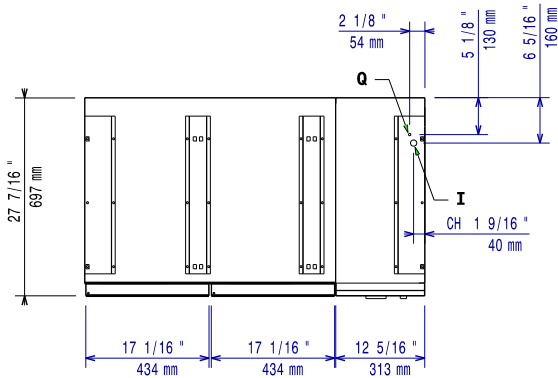
### Construction

- All exterior panels in Stainless Steel with Scotch Brite finishing.
- Built-in compressor to suit operating conditions.
- Access to all components from the front.
- CFC free (ecological refrigerant type: R404a, - gas in foam: cyclopentane).

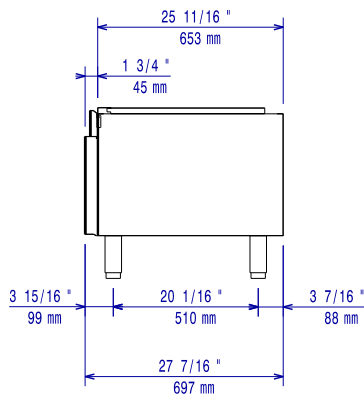
### Optional Accessories

- Kit 4 wheels - 2 swivelling with brake - it is mandatory to install base support and wheels PNC 206135
- Frontal kicking strip, 1200mm (not for refr-freezer base) PNC 206178
- 2 drawers for refrigerated base PNC 206351
- Base support for feet or wheels - 800mm (700/900) PNC 206367
- Base support for feet or wheels - 1200mm (700/900) PNC 206368
- Base support for feet or wheels (lateral) - to be used with 6 burners on large oven and refrigerated bases PNC 206371
- Rear paneling - 1200mm (700/900) PNC 206376

APPROVAL: \_\_\_\_\_

**Front**

**Top**


D = Drain  
EI = Electrical connection

**Side**

**Electric**

<b>Supply voltage:</b>	
371256 (E7BAPL00RD)	230 V/1N ph/50 Hz
<b>Electrical power max.:</b>	0.5 kW
<b>Total Watts:</b>	0.5 kW

**Key Information:**

<b>Gross capacity:</b>	152 lt
<b>External dimensions, Height:</b>	600 mm
<b>External dimensions, Width:</b>	1200 mm
<b>External dimensions, Depth:</b>	700 mm
<b>Net weight:</b>	95 kg
<b>Shipping weight:</b>	116 kg
<b>Shipping height:</b>	820 mm
<b>Shipping width:</b>	800 mm
<b>Shipping depth:</b>	1300 mm
<b>Shipping volume:</b>	0.85 m <sup>3</sup>

**Refrigeration Data**

<b>Refrigerant type:</b>	R404a
<b>Refrigeration power:</b>	510 W
<b>Refrigerant weight:</b>	400 g